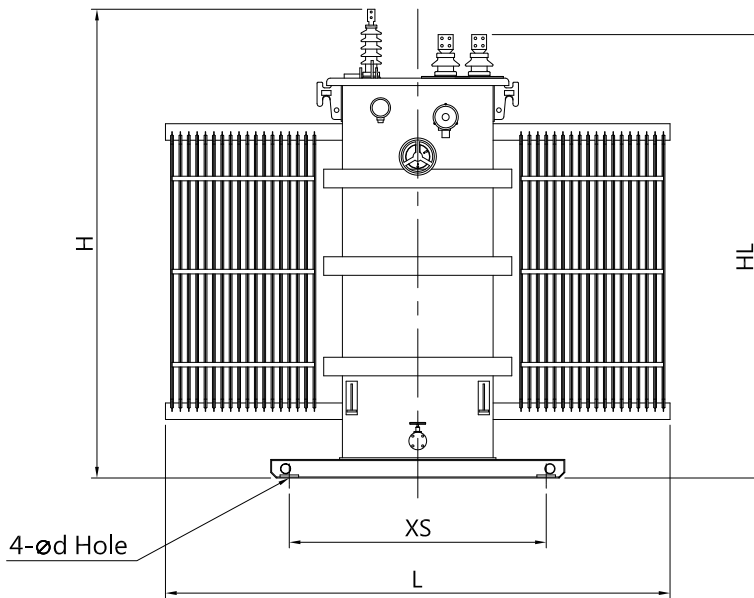
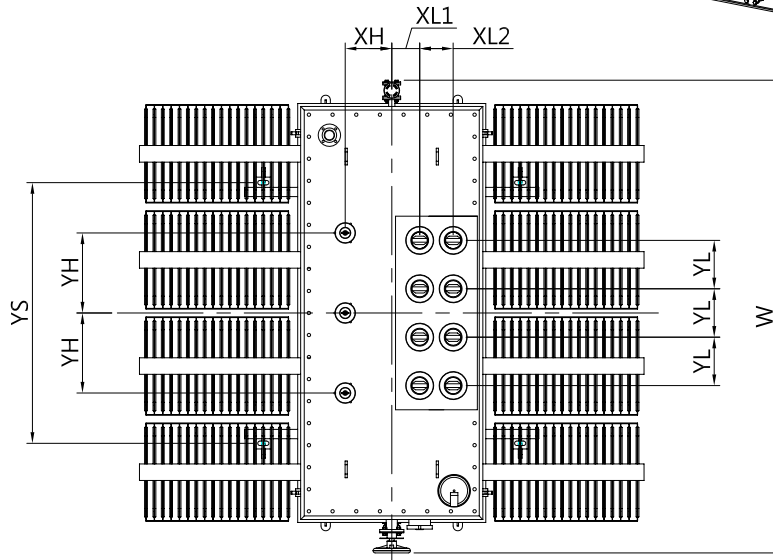
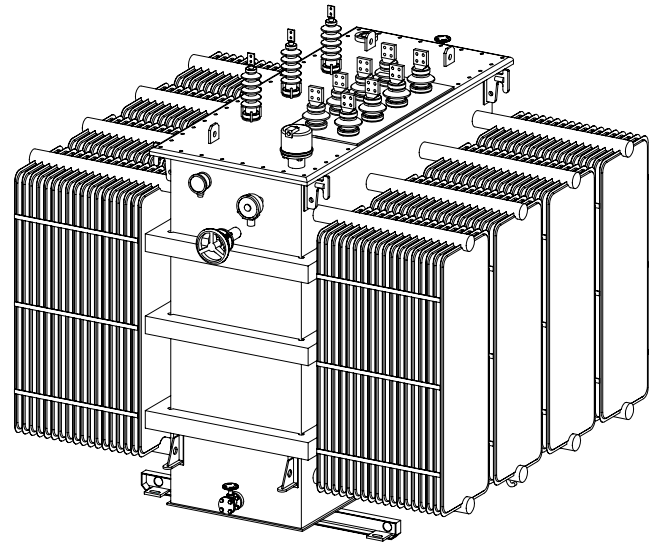


3Ø33kV

Oil Immersed Transformer

Technical Data

Applicable Standards	AS2374
Frequency	50Hz
Insulation Class	A
Oil/Winding Temperature Level	55°C
Rated Voltage & Connection	HV 33kV Delta LV 415V Wye
Average Sound Level	NEMA TR1



Technical Data & Dimensions

Rated Voltage	Phase NO.	Rating (kVA)	Standard																	Terminal	
			Efficiencies (PF=1.0) (%)	Total Loss (W)	Impedance (%)	Dimension(mm)				Foundation Distance(mm)			Bushing distance(mm)				Oil (l)	Weight (kg)	HV	LV	
						L	W	H	HL	XS	YS	d	XH	XL1	XL2	YH					YL
33kV	3	4000	98.94	42700	5.5~6.5	2710	2650	2910	2390	1400	1500	24	250	150	180	430	260	3125	13000	NO.1	NO.5
		5000	98.98	51700	5.5~6.5	3100	2730	2970	2490	1500	1600	24	300	160	180	430	260	3515	14000		NO.6

