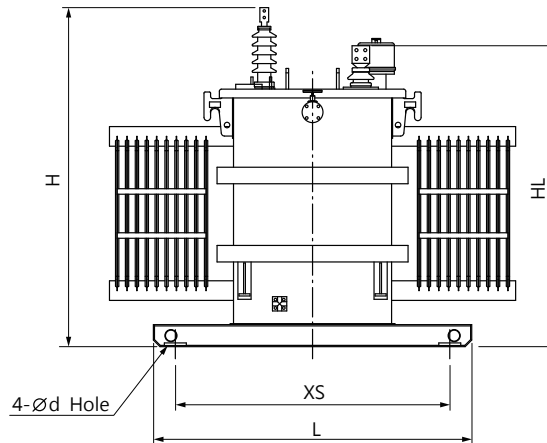
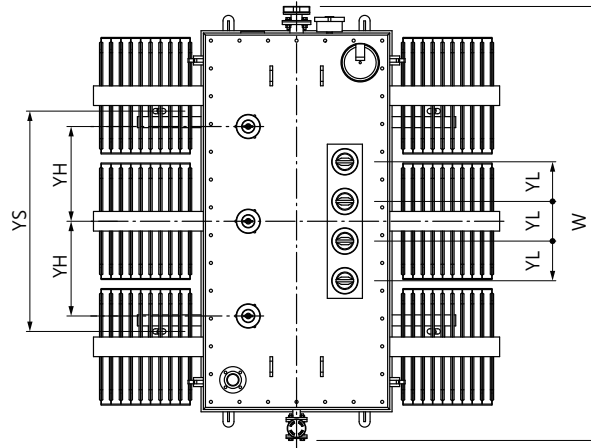
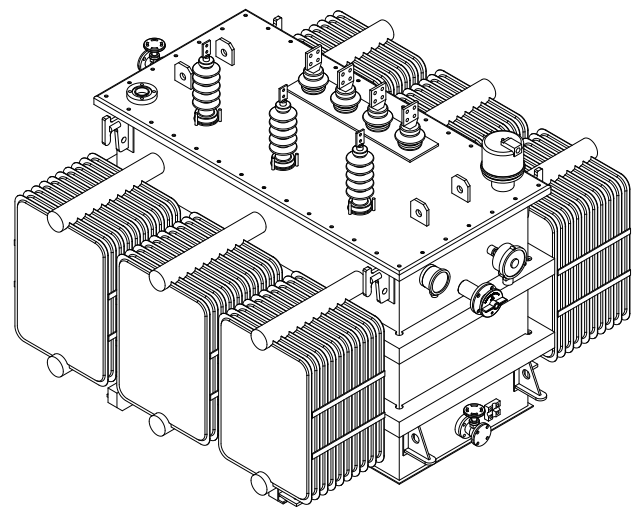


3Ø22kV

Oil Immersed Transformer

Technical Data

| | |
|-------------------------------|------------------------------|
| Applicable Standards | AS2374 |
| Frequency | 50Hz |
| Insulation Class | A |
| Oil/Winding Temperature Level | 55°C |
| Rated Voltage & Connection | HV 22kV Delta LV 415V Wye |
| Average Sound Level | NEMA TR1 |



Technical Data & Dimensions

| Rated Voltage | Phase NO. | Rating (kVA) | Standard | | | | | | | | | | | | | | | | Terminal | |
|---------------|-----------|--------------|---------------------------|----------------|---------------|---------------|------|------|------|-------------------------|------|----|----------------------|-----|-----|-----|---------|-------------|----------|------|
| | | | Efficiencies (PF=1.0) (%) | Total Loss (W) | Impedance (%) | Dimension(mm) | | | | Foundation Distance(mm) | | | Bushing distance(mm) | | | | Oil (l) | Weight (kg) | HV | LV |
| | | | | | | L | W | H | HL | XS | YS | d | XH | XL | YH | YL | | | | |
| 22kV | 3 | 500 | 98.56 | 7300 | 4.5~5.5 | 1520 | 1850 | 1555 | 1365 | 900 | 900 | 24 | 200 | 220 | 300 | 180 | 710 | 2760 | NO.1 | NO.2 |
| | | 630 | 98.66 | 8530 | 4.5~5.5 | 1700 | 1850 | 1555 | 1365 | 1000 | 900 | 24 | 200 | 220 | 300 | 180 | 720 | 3000 | | NO.3 |
| | | 800 | 98.75 | 10100 | 5~6 | 2060 | 1960 | 1555 | 1365 | 1100 | 1000 | 24 | 200 | 220 | 300 | 180 | 860 | 3500 | | NO.4 |
| | | 1000 | 98.78 | 12300 | 5~6 | 2100 | 2150 | 1655 | 1465 | 1100 | 1100 | 24 | 200 | 220 | 300 | 180 | 1050 | 4300 | | NO.5 |
| | | 1250 | 98.82 | 14900 | 5~6 | 2300 | 2320 | 1660 | 1470 | 1200 | 1200 | 24 | 220 | 220 | 300 | 180 | 1200 | 4920 | | NO.6 |
| | | 1600 | 98.73 | 20500 | 5~6 | 2400 | 2190 | 1860 | 1705 | 1200 | 1100 | 24 | 220 | 220 | 300 | 180 | 1340 | 5620 | | |
| | | 2000 | 98.79 | 24420 | 5~6 | 2680 | 2440 | 1860 | 1705 | 1300 | 1200 | 24 | 220 | 220 | 300 | 180 | 1520 | 6640 | | |
| | | 2500 | 98.86 | 28800 | 5~6 | 2920 | 2600 | 1960 | 1875 | 1500 | 1300 | 24 | 220 | 220 | 300 | 200 | 1840 | 7650 | | |
| | | 3150 | 98.90 | 35150 | 5.5~6.5 | 2920 | 2560 | 2445 | 2360 | 1400 | 1400 | 24 | 220 | 220 | 300 | 240 | 2520 | 10600 | | |



FORTUNE ELECTRIC CO., LTD.